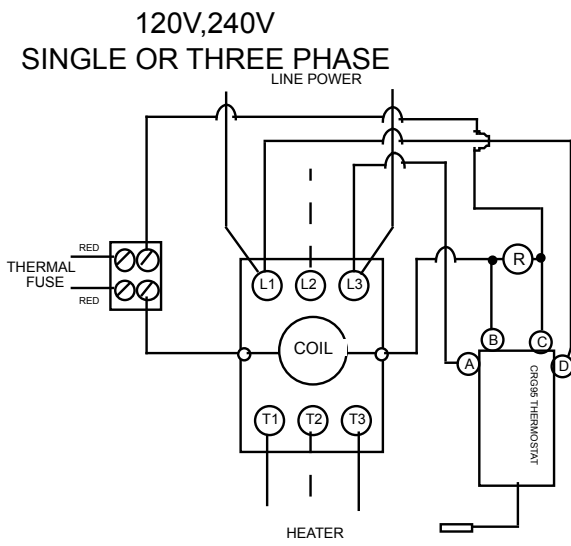
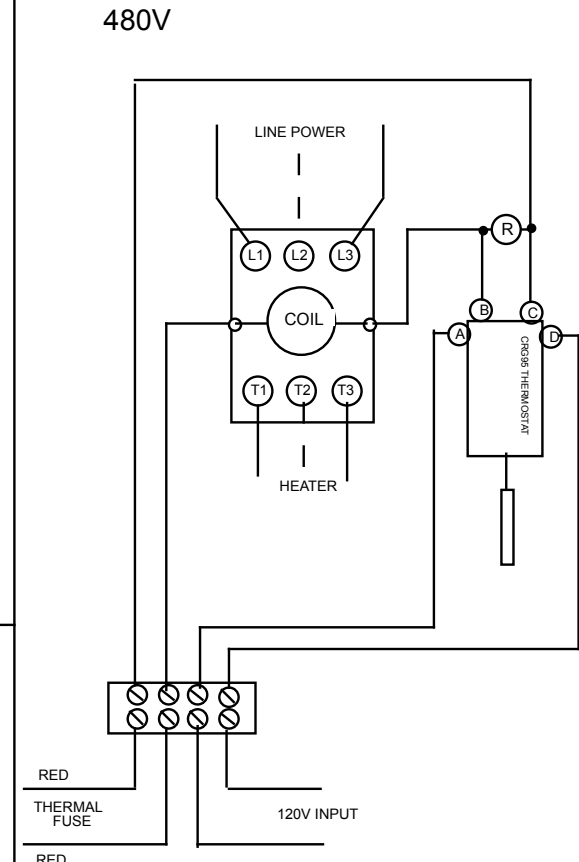


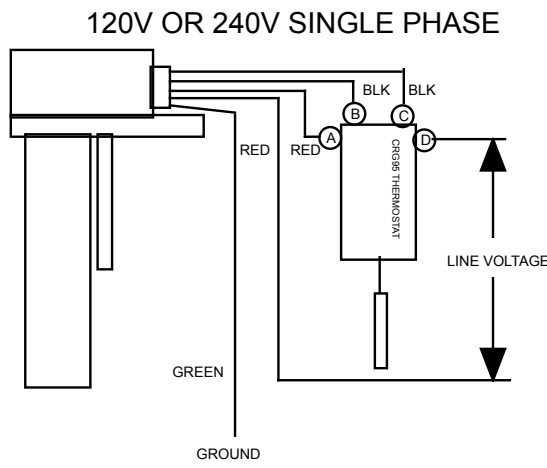
480V
WITH STEPDOWN TRANSFORMER
SINGLE OR THREE PHASE



120V,240V
SINGLE OR THREE PHASE
LINE POWER



480V



120V OR 240V SINGLE PHASE

CLEVELAND PROCESS CORP
CRG95 WIRING DIAGRAMS

DRN BY:

DATE: NOVE 17 2004